

# PORSCHE

## **Carrera Coupe**

**US \$72,400**

Model Year 2007 Standard Equipment includes:

### **Engine**

325 hp, 273 lb ft torque - 3.6 liter horizontally opposed 6 cylinder, aluminum alloy engine block & cylinder heads, rear mounted engine. Integrated dry sump lubrication system with oil cooler. 4 overhead camshafts, 4 valves per cylinder, "VarioCam Plus" continuously variable inlet valve timing and lift. 2 stage resonance induction intake manifold. Cylinder specific knock control. Stainless steel exhaust system with twin brushed steel tail pipes.

### **Power Transmission**

6-speed Manual Transmission with double inertia flywheel. Hydraulic clutch actuation.

### **Chassis and Suspension**

8"x18" pressure cast Carrera III wheels, 235/40ZR18 summer high performance tires - Front. 10"x18" pressure cast Carrera III wheels, 265/40ZR18 summer high performance tires - Rear. Includes anti-theft device. TPMS – Tire Pressure Monitoring System. Puncture sealing compound and electric compressor. Power assisted steering with variable ratio. McPherson strut suspension with stabilizer bar – front. Multi link LSA (Light, Stable, Agile) suspension with stabilizer bar – rear. PSM – (Porsche Stability Management), with ABS (Anti lock Braking System), ASR (Anti Slip Regulation), ABD (Automatic Brake Differential) and EDTC (Engine Drag Torque Control).

### **Braking System**

12.5" vented and perforated rotors w/ 4 piston monobloc black calipers – front, 11.8" vented and perforated rotors w/ 4 piston monobloc black calipers – rear. ABS 8.0 – Anti Lock Braking System, brake pad wear indicators, hand operated parking brake.

### **Body**

Two plus two Coupe, body shell hot dip galvanized on both sides. Luggage compartment lid in aluminum. Electric sliding roof with tip open/close. Front air dam with air intakes in black. Preparation for roof-rack system installation. Side windows with water repellent coating. Heat able rear window. Automatically extendable rear spoiler. Rear logotype in Titanium color. Full underbody paneling. 16.9 gallon fuel tank.

### **Lighting System**

H7 Halogen headlights with welcome home function. Front and rear fog lamps. Uniform lighting concept in white for entire interior, continuously variable. Foot well lighting.

### **Electrical Equipment**

PCM (Porsche Communication Management) with 5.8" color display, 12 digit keypad. AM/FM/CD radio with MP3-able CD drive for audio CD's. Sound System Plus with 9 loudspeakers and 235 watt total power. On board computer w/ digital continuous indication of total mileage, trip mileage, time, outside temp and speed. 5 dial type gauges indicating RPM's, speed, oil pressure, oil temperature, coolant temp and fuel level, w/ black dials. Electronic oil level measurement with map compensation. Power windows with tip up/tip down and anti-jamming. Two speed wiper system with rain sensor, wiper delay control, heated washer nozzles. Remote central locking w/ luggage compartment release. Anti theft system including passenger compartment monitoring. Homelink door opener, cruise control.

### **Passive Safety Equipment**

Fully galvanized high strength steel body w/ front & rear deformation zones. 3 point seat belts w/ pre-tensioners and force limiters. Seat belt height adjustment. 2 stage driver/passenger airbags. Porsche Side Impact Protection System (POSIP) consisting of side impact protection elements in each door, thorax side airbags integrated in seat backrests, head airbags located in door trim. Preparation for child seat anchorage (ISOFIX) on passenger side w/ switch for airbag deactivation.

### **Interior Equipment**

Driver and passenger seat with electrical backrest adjustment and manual horizontal and height adjustment. Split folding rear seats. 3 spoke steering wheel w/ manual reach and height adjustment. Steering wheel rim, front seat inlay, front seat lateral supports, and headrests covered in grained leather. Gear selector, hand brake grip, door handle, armrests in the door panels, center console storage pocket trimmed in smooth leather. Decorative stitching in light contrast color. Interior trim in soft-paint in interior color. Various interior parts in Volcano gray. Roof liner in Alcantara. Automatic climate control with integrated carbon filter. Two cup holders in front. Door storage bins. Door entry guards with "Carrera" logotype. Illuminated vanity mirror, driver and passenger.

Porsche Cars North America – United States Order Guide – 2007 Model Year  
Options, Prices, content, and availability are subject to change without notice.

# PORSCHE

## **Carrera S Coupe**

**US \$82,600**

Model Year 2007 Standard Equipment includes:

### **Engine**

355 hp, 295 lb ft torque - 3.8 liter horizontally opposed 6 cylinder, aluminum alloy engine block & cylinder heads, rear mounted engine. Integrated dry sump lubrication system with oil cooler. 4 overhead camshafts, 4 valves per cylinder, "VarioCam Plus" continuously variable inlet valve timing and lift. 2 stage resonance induction intake manifold. Cylinder specific knock control. High Performance exhaust manifolds. Stainless steel exhaust system with 2 dual brushed steel tail pipes.

### **Power Transmission**

6-speed Manual Transmission with double inertia flywheel, self correcting X-tend clutch. Hydraulic clutch actuation.

### **Chassis and Suspension**

8"x19" pressure cast Carrera S wheels, 235/35ZR19 summer high performance tires - Front. 11"x19" pressure cast Carrera S wheels, 295/30ZR19 summer high performance tires - Rear. Includes anti-theft device. TPMS – Tire Pressure Monitoring System. Puncture sealing compound and electric compressor. Power assisted steering with variable ratio. McPherson strut suspension with stabilizer bar – front. Multi link LSA (Light, Stable, Agile) suspension with stabilizer bar – rear. PASM – (Porsche Active Suspension Management) including 10mm lowering. PSM – (Porsche Stability Management), with ABS (Anti lock Braking System), ASR (Anti Slip Regulation), ABD (Automatic Brake Differential) and EDTC (Engine Drag Torque Control).

### **Braking System**

13" vented and perforated rotors w/ 4 piston monobloc red calipers – front & rear. ABS 8.0 – Anti Lock Braking System, brake pad wear indicators, hand operated parking brake.

### **Body**

Two plus two Coupe, body shell hot dip galvanized on both sides. Luggage compartment lid in aluminum. Electric sliding roof with tip open/close. Front air dam with air intakes in black. Preparation for roof-rack system installation. Side windows with water repellent coating. Heat able rear window. Automatically extendable rear spoiler. Rear logotype in Silver color. Full underbody paneling. 16.9 gallon fuel tank.

### **Lighting System**

Bi-Xenon headlights with dynamic leveling, headlight washer system and welcome home function. Front and rear fog lamps. Uniform lighting concept in white for entire interior, continuously variable. Foot well lighting.

### **Electrical Equipment**

PCM (Porsche Communication Management) with 5.8" color display, 12 digit keypad. AM/FM/CD radio with MP3-able CD drive for audio CD's. Sound System Plus with 9 loudspeakers and 235 watt total power. On board computer w/ digital continuous indication of total mileage, trip mileage, time, outside temp and speed. 5 dial type gauges indicating RPM's, speed, oil pressure, oil temperature, coolant temp and fuel level, w/ aluminum dials. Electronic oil level measurement with map compensation. Power windows with tip up/tip down and anti-jamming. Two speed wiper system with rain sensor, wiper delay control, heated washer nozzles. Remote central locking w/ luggage compartment release. Anti theft system including passenger compartment monitoring. Homelink door opener, cruise control.

### **Passive Safety Equipment**

Fully galvanized high strength steel body w/ front & rear deformation zones. 3 point seat belts w/ pre-tensioners and force limiters. Seat belt height adjustment. 2 stage driver/passenger airbags. Porsche Side Impact Protection System (POSIP) consisting of side impact protection elements in each door, thorax side airbags integrated in seat backrests, head airbags located in door trim. Preparation for child seat anchorage (ISOFIX) on passenger side w/ switch for airbag deactivation.

### **Interior Equipment**

Driver and passenger seat with electrical backrest adjustment and manual horizontal and height adjustment. Split folding rear seats. 3 spoke sport steering wheel w/ manual reach and height adjustment. Steering wheel rim, front seat inlay, front seat lateral supports, and headrests covered in grained leather. Gear selector, hand brake grip, door handle, armrests in the door panels, center console storage pocket trimmed in smooth leather. Decorative stitching in light contrast color. Interior trim in soft-paint in interior color. Roof liner in Alcantara. Automatic climate control with integrated carbon filter. Two cup holders in front. Door storage bins. Door entry guards with "Carrera S" logotype. Illuminated vanity mirror, driver and passenger. Air vents, dashboard trim, trim strip gear lever in aluminum look paint finish, various components in Volcano Gray.

Porsche Cars North America – United States Order Guide – 2007 Model Year  
Options, Prices, content, and availability are subject to change without notice.

# PORSCHE

## **Carrera 4 Coupe**

**US \$78,200**

Model Year 2007 Standard Equipment includes:

### **Engine**

325 hp, 273 lb ft torque - 3.6 liter horizontally opposed 6 cylinder, aluminum alloy engine block & cylinder heads, rear mounted engine. Integrated dry sump lubrication system with oil cooler. 4 overhead camshafts, 4 valves per cylinder, "VarioCam Plus" continuously variable inlet valve timing and lift. 2 stage resonance induction intake manifold. Cylinder specific knock control. Stainless steel exhaust system with twin brushed steel tail pipes.

### **Power Transmission**

6-speed Manual Transmission with double inertia flywheel. Hydraulic clutch actuation. All wheel drive with viscous multi disc clutch center differential.

### **Chassis and Suspension**

8"x18" pressure cast Carrera III wheels, 235/40ZR18 summer high performance tires - Front. 10"x18" pressure cast Carrera III wheels, 265/40ZR18 summer high performance tires - Rear. Includes anti-theft device. TPMS – Tire Pressure Monitoring System. Puncture sealing compound and electric compressor. Power assisted steering with variable ratio. McPherson strut suspension with stabilizer bar – front. Multi link LSA (Light, Stable, Agile) suspension with 14mm/0.5" enlarged track, stabilizer bar – rear. PSM – (Porsche Stability Management), with ABS (Anti lock Braking System), ASR (Anti Slip Regulation), ABD (Automatic Brake Differential) and EDTC (Engine Drag Torque Control).

### **Braking System**

12.5" vented and perforated rotors w/ 4 piston monobloc black calipers – front, 11.8" vented and perforated rotors w/ 4 piston monobloc black calipers – rear. ABS 8.0 – Anti Lock Braking System with braking readiness function and Brake Assist. Brake pad wear indicators, hand operated parking brake.

### **Body**

Two plus two Coupe, body shell hot dip galvanized on both sides. Wider body by 44mm/1.7". Luggage compartment lid in aluminum. Electric sliding roof with tip open/close. Front air dam with air intakes in black. Preparation for roof-rack system installation. Side windows with water repellent coating. Heat able rear window. Automatically extendable rear spoiler. Rear logotype in Titanium color. Full underbody paneling. 17.7 gallon fuel tank.

### **Lighting System**

H7 Halogen headlights with welcome home function. Front and rear fog lamps. Uniform lighting concept in white for entire interior, continuously variable. Foot well lighting.

### **Electrical Equipment**

PCM (Porsche Communication Management) with 5.8" color display, 12 digit keypad. AM/FM/CD radio with MP3-able CD drive for audio CD's. Sound System Plus with 9 loudspeakers and 235 watt total power. On board computer w/ digital continuous indication of total mileage, trip mileage, time, outside temp and speed. 5 dial type gauges indicating RPM's, speed, oil pressure, oil temperature, coolant temp and fuel level, w/ black dials. Electronic oil level measurement with map compensation. Power windows with tip up/tip down and anti-jamming. Two speed wiper system with rain sensor, wiper delay control, heated washer nozzles. Remote central locking w/ luggage compartment release. Anti theft system including passenger compartment monitoring. Homelink door opener, cruise control.

### **Passive Safety Equipment**

Fully galvanized high strength steel body w/ front & rear deformation zones. 3 point seat belts w/ pre-tensioners and force limiters. Seat belt height adjustment. 2 stage driver/passenger airbags. Porsche Side Impact Protection System (POSIP) consisting of side impact protection elements in each door, thorax side airbags integrated in seat backrests, head airbags located in door trim. Preparation for child seat anchorage (ISOFIX) on passenger side w/ switch for airbag deactivation.

### **Interior Equipment**

Driver and passenger seat with electrical backrest adjustment and manual horizontal and height adjustment. Split folding rear seats. 3 spoke steering wheel w/ manual reach and height adjustment. Steering wheel rim, front seat inlay, front seat lateral supports, and headrests covered in grained leather. Gear selector, hand brake grip, door handle, armrests in the door panels, center console storage pocket trimmed in smooth leather. Decorative stitching in light contrast color. Interior trim in soft-paint in interior color. Various interior parts in Volcano gray. Roof liner in Alcantara. Automatic climate control with integrated carbon filter. Two cup holders in front. Door storage bins. Door entry guards with "Carrera 4" logotype. Illuminated vanity mirror, driver and passenger.

Porsche Cars North America – United States Order Guide – 2007 Model Year  
Options, Prices, content, and availability are subject to change without notice.

# PORSCHE

## **Carrera 4S Coupe**

**US \$88,400**

Model Year 2007 Standard Equipment includes:

### **Engine**

355 hp, 295 lb ft torque - 3.8 liter horizontally opposed 6 cylinder, aluminum alloy engine block & cylinder heads, rear mounted engine. Integrated dry sump lubrication system with oil cooler. 4 overhead camshafts, 4 valves per cylinder, "VarioCam Plus" continuously variable inlet valve timing and lift. 2 stage resonance induction intake manifold. Cylinder specific knock control. High Performance exhaust manifolds. Stainless steel exhaust system with 2 dual brushed steel tail pipes.

### **Power Transmission**

6-speed Manual Transmission with double inertia flywheel, self correcting X-tend clutch. Hydraulic clutch actuation. All wheel drive with viscous multi disc clutch center differential.

### **Chassis and Suspension**

8"x19" pressure cast Carrera S wheels, 235/35ZR19 summer high performance tires - Front. 11"x19" pressure cast Carrera S wheels, 295/30ZR19 summer high performance tires - Rear. Includes anti-theft device. TPMS – Tire Pressure Monitoring System. Puncture sealing compound and electric compressor. Power assisted steering with variable ratio. McPherson strut suspension with stabilizer bar – front. Multi link LSA (Light, Stable, Agile) suspension with 32mm/1.25" enlarged track, stabilizer bar – rear. PASM – (Porsche Active Suspension Management) including 10mm lowering. PSM – (Porsche Stability Management), with ABS (Anti lock Braking System), ASR (Anti Slip Regulation), ABD (Automatic Brake Differential) and EDTC (Engine Drag Torque Control).

### **Braking System**

13" vented and perforated rotors w/ 4 piston monobloc red calipers – front & rear. ABS 8.0 – Anti Lock Braking System with braking readiness function and Brake Assist. Brake pad wear indicators, hand operated parking brake.

### **Body**

Two plus two Coupe, body shell hot dip galvanized on both sides. Wider body by 44mm/1.7". Luggage compartment lid in aluminum. Electric sliding roof with tip open/close. Front air dam with air intakes in black. Preparation for roof-rack system installation. Side windows with water repellent coating. Heat able rear window. Automatically extendable rear spoiler. Rear logotype in Silver color. Full underbody paneling. 17.7 gallon fuel tank.

### **Lighting System**

Bi-Xenon headlights with dynamic leveling, headlight washer system and welcome home function. Front and rear fog lamps. Uniform lighting concept in white for entire interior, continuously variable. Foot well lighting.

### **Electrical Equipment**

PCM (Porsche Communication Management) with 5.8" color display, 12 digit keypad. AM/FM/CD radio with MP3-able CD drive for audio CD's. Sound System Plus with 9 loudspeakers and 235 watt total power. On board computer w/ digital continuous indication of total mileage, trip mileage, time, outside temp and speed. 5 dial type gauges indicating RPM's, speed, oil pressure, oil temperature, coolant temp and fuel level, w/ aluminum dials. Electronic oil level measurement with map compensation. Power windows with tip up/tip down and anti-jamming. Two speed wiper system with rain sensor, wiper delay control, heated washer nozzles. Remote central locking w/ luggage compartment release. Anti theft system including passenger compartment monitoring. Homelink door opener, cruise control.

### **Passive Safety Equipment**

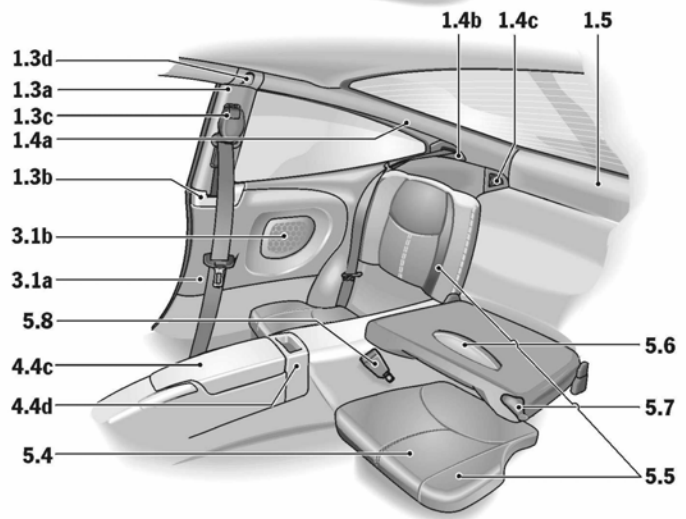
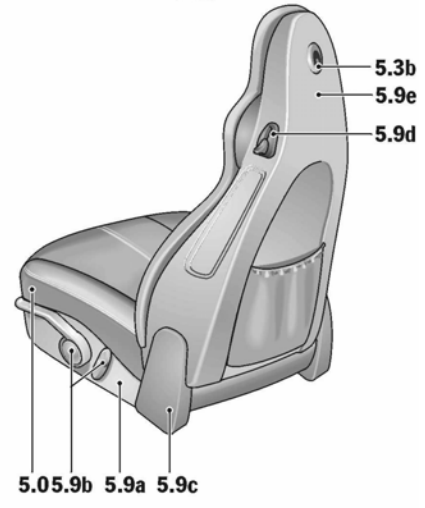
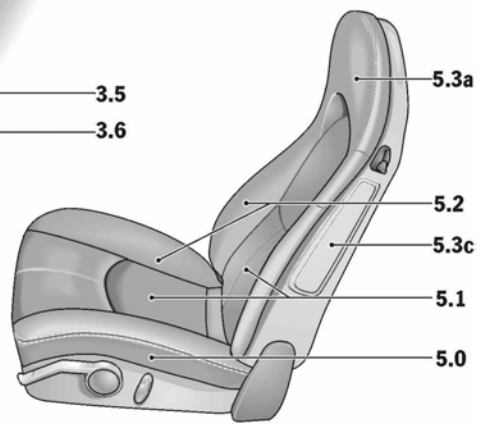
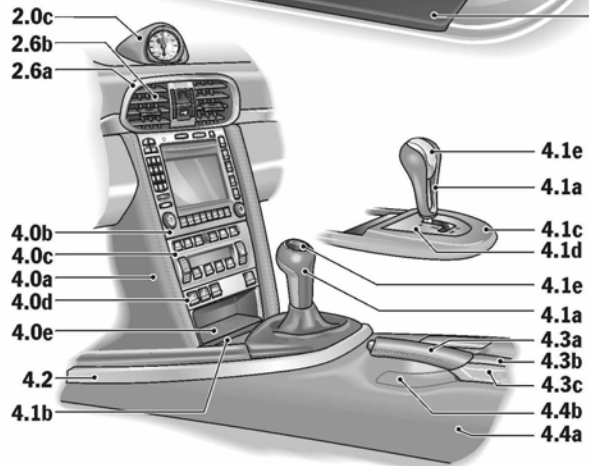
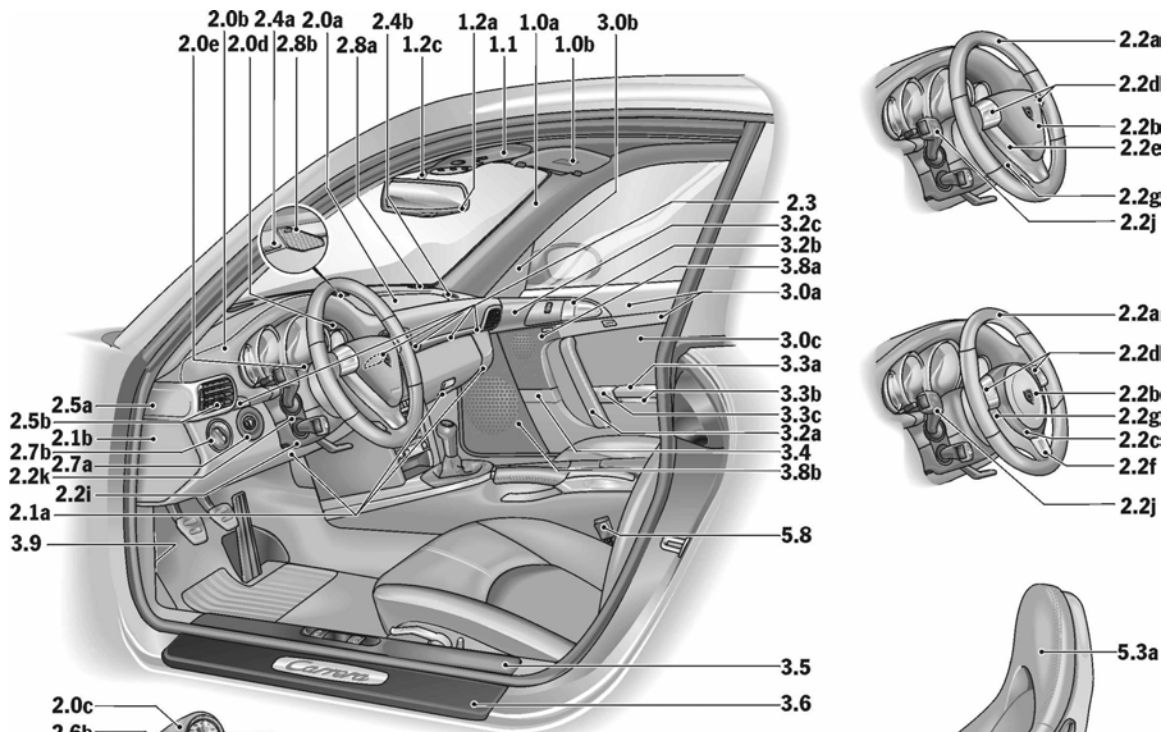
Fully galvanized high strength steel body w/ front & rear deformation zones. 3 point seat belts w/ pre-tensioners and force limiters. Seat belt height adjustment. 2 stage driver/passenger airbags. Porsche Side Impact Protection System (POSIP) consisting of side impact protection elements in each door, thorax side airbags integrated in seat backrests, head airbags located in door trim. Preparation for child seat anchorage (ISOFIX) on passenger side w/ switch for airbag deactivation.

### **Interior Equipment**

Driver and passenger seat with electrical backrest adjustment and manual horizontal and height adjustment. Split folding rear seats. 3 spoke sport steering wheel w/ manual reach and height adjustment. Steering wheel rim, front seat inlay, front seat lateral supports, and headrests covered in grained leather. Gear selector, hand brake grip, door handle, armrests in the door panels, center console storage pocket trimmed in smooth leather. Decorative stitching in light contrast color. Interior trim in soft-paint in interior color. Roof liner in Alcantara. Automatic climate control with integrated carbon filter. Two cup holders in front. Door storage bins. Door entry guards with "Carrera 4S" logotype. Illuminated vanity mirror, driver and passenger. Air vents, dashboard trim, trim strip gear lever in aluminum look paint finish, various components in Volcano Gray.

Porsche Cars North America – United States Order Guide – 2007 Model Year  
Options, Prices, content, and availability are subject to change without notice.





Nr.	911 Descriptions	Nr.	911 Descriptions
1.0a	A-pillar/windscreen frame trim	4.0a	Centre console side trim, front
1.0b	Sun visors	4.0b	PCM trim
1.1	Interior light surround	4.0c	Climate control trim
1.2a	Rear view mirror frame	4.0d	Lower switch trim
1.2b	Rear view mirror casing	4.0e	Lower storage bin
1.2c	Rear view mirror mounting	4.1a	Gear lever or Tiptronic gear selector
1.3a	B-pillar trim	4.1b	Gear lever trim
1.3b	Belt outlets on B-pillars	4.1c	Tiptronic gear selector gate surround
1.3c	Belt height adjustment trim on B-pillars	4.1d	Tiptronic gear selector gate
1.3d	Clothes hook on B-pillars	4.1e	Decorative trim on shift pattern or release of Tiptronic gear selector
1.4a	C-pillar trim	4.2	Decorative trim on gear lever/selector
1.4b	Belt outlets on C-pillars	4.3a	Handbrake lever
1.4c	Rear air vent	4.3b	Handbrake finisher (upper section)
1.5	Rear panel trim	4.3c	Handbrake finisher (lower section)
2.0a	Switch panel (front part) incl. airbag cover	4.4a	Rear section of centre console incl. ashtray cover
2.0b	Switch panel (upper section) incl. instrument cover	4.4b	Handbrake lever recess trim
2.0c	Timer cover	4.4c	Lid of storage bin in rear section of centre console
2.0d	Instrument surround	4.4d	Storage tray rear section of centre console
2.0e	Instrument surround lower section	5.0	Seat base
2.1a	Switch panel (lower section) incl. glove compartment, three-part	5.1	Seat centre, front
2.1b	Switch panel end trim	5.2	Lateral supports, front
2.2a	Steering wheel rim	5.3a	Integrated head restraints, front
2.2b	Airbag module	5.3b	Clothes hook seat backrest
2.2c	Airbag module surround on three-spoke sports steering wheel	5.3c	Thorax airbag cover
2.2d	Tiptronic S switches (left/right) or spoke trim (left/right)	5.4	Seat centre, rear
2.2e	"Y" trim on standard steering wheel	5.5	Lateral supports, rear
2.2f	Lower spoke trim on three-spoke sports steering wheel	5.6	Luggage stop on rear seat backrests
2.2g	Steering wheel hub cover	5.7	Release lever on rear seat backrests incl. base plate
2.2h	Steering wheel adjustment collar	5.8	Belt buckles (front/rear)
2.2i	Steering column casing incl. hands-free microphone, three-part	5.9a	Seat controls trim
2.2j	Control stalks	5.9b	Seat controls
2.2k	Control stalk trim	5.9c	Hinge cover
2.3	Trim strip switch panel incl. cupholder trim, five-part	5.9d	Release lever surround
2.4a	Defroster trim	5.9e	Sports seat backrest
2.4b	Defroster air vent		
2.5a	Side air vent		
2.5b	Side air vent slats		
2.6a	Central air vent incl. switch trim		
2.6b	Central air vent slats		
2.7a	Ignition lock surround		
2.7b	Light switch surround		
2.8a	Loudspeaker finishers (treble) on switch panel (left/right)		
2.8b	Loudspeaker finisher on switch panel (centre)		
3.0a	Door trim incl. Head-Airbag cover		
3.0b	Mirror attachment point finishers incl. mirror controls and base plate		
3.0c	Door panel		
3.1a	Side trim, rear seat area		
3.1b	Loudspeaker finishers at rear		
3.2a	Front of door handle		
3.2b	Door opener		
3.2c	Door opener trim		
3.3a	Lid of door storage bin		
3.3b	Door storage bin surround		
3.3c	Lid extension on door storage bin		
3.4	Door panel trim		
3.5	Inner sill finisher		
3.6	Door entry guard		
3.8a	Loudspeaker finishers (mid-tone) incl. seat memory trim (driver's side)		
3.8b	Loudspeaker finishers (bass)		
3.9	Fuse box trim		

# Order Guide

Option	Description	Must Pick	Required	Conflict	Model	Price (USD)
<b>Standard Paint</b>						
<b>A1</b>	<b>Black</b>				Carrera Coupe	\$0
					Carrera S Coupe	\$0
					Carrera 4 Coupe	\$0
					Carrera 4S Coupe	\$0
<b>B4</b>	<b>Carrara White</b>				Carrera Coupe	\$0
					Carrera S Coupe	\$0
					Carrera 4 Coupe	\$0
					Carrera 4S Coupe	\$0
<b>G1</b>	<b>Guards Red</b>				Carrera Coupe	\$0
					Carrera S Coupe	\$0
					Carrera 4 Coupe	\$0
					Carrera 4S Coupe	\$0
<b>X4</b>	<b>Speed Yellow</b>				Carrera Coupe	\$0
					Carrera S Coupe	\$0
					Carrera 4 Coupe	\$0
					Carrera 4S Coupe	\$0
<b>Optional Metallic Paint</b>						
<b>53</b>	<b>Forest Green Metallic</b>				Carrera Coupe	\$690
					Carrera S Coupe	\$690
					Carrera 4 Coupe	\$690
					Carrera 4S Coupe	\$690
<b>56</b>	<b>Cobalt Blue Metallic</b>				Carrera Coupe	\$690
					Carrera S Coupe	\$690
					Carrera 4 Coupe	\$690
					Carrera 4S Coupe	\$690

Option	Description	Must Pick	Required	Conflict	Model	Price (USD)
<b>9Q</b>	<b>Meteor Grey Metallic</b>				Carrera Coupe	\$690
					Carrera S Coupe	\$690
					Carrera 4 Coupe	\$690
					Carrera 4S Coupe	\$690
<b>E4</b>	<b>Carmona Red Metallic</b>				Carrera Coupe	\$690
					Carrera S Coupe	\$690
					Carrera 4 Coupe	\$690
					Carrera 4S Coupe	\$690
<b>E7</b>	<b>Atlas Grey Metallic</b>				Carrera Coupe	\$690
					Carrera S Coupe	\$690
					Carrera 4 Coupe	\$690
					Carrera 4S Coupe	\$690
<b>E9</b>	<b>Midnight Blue Metallic</b>				Carrera Coupe	\$690
					Carrera S Coupe	\$690
					Carrera 4 Coupe	\$690
					Carrera 4S Coupe	\$690
<b>X1</b>	<b>Arctic Silver Metallic</b>				Carrera Coupe	\$690
					Carrera S Coupe	\$690
					Carrera 4 Coupe	\$690
					Carrera 4S Coupe	\$690
<b>Z4</b>	<b>Basalt Black Metallic</b>				Carrera Coupe	\$690
					Carrera S Coupe	\$690
					Carrera 4 Coupe	\$690
					Carrera 4S Coupe	\$690
<b>Special Paint</b>						
<b>59</b>	<b>Slate Grey Metallic</b>				Carrera Coupe	\$3,070
					Carrera S Coupe	\$3,070
					Carrera 4 Coupe	\$3,070
					Carrera 4S Coupe	\$3,070

Option	Description	Must Pick	Required	Conflict	Model	Price (USD)
7G	Dark Olive Metallic				Carrera Coupe	\$3,070
					Carrera S Coupe	\$3,070
					Carrera 4 Coupe	\$3,070
					Carrera 4S Coupe	\$3,070
G4	Dark Teal Metallic				Carrera Coupe	\$3,070
					Carrera S Coupe	\$3,070
					Carrera 4 Coupe	\$3,070
					Carrera 4S Coupe	\$3,070
J2	Lapis Blue Metallic				Carrera Coupe	\$3,070
					Carrera S Coupe	\$3,070
					Carrera 4 Coupe	\$3,070
					Carrera 4S Coupe	\$3,070
U2	GT Silver Metallic				Carrera Coupe	\$3,070
					Carrera S Coupe	\$3,070
					Carrera 4 Coupe	\$3,070
					Carrera 4S Coupe	\$3,070

### Paint to Sample

98	<b>Non-Metallic Paint to Sample</b> This option usually results in a production delay of 3 to 6 months. Not all color requests can be fulfilled and Porsche may require the customer or dealership to supply a paint sample or paint code in order to conduct feasibility testing. The deadline for submission of MY07 Paint to Sample orders will be approximately March 01, 2007. Contact PCNA for further details and confirmation of deadline.		789 24931		Carrera Coupe	\$4,315
					Carrera S Coupe	\$4,315
					Carrera 4 Coupe	\$4,315
					Carrera 4S Coupe	\$4,315

Option	Description	Must Pick	Required	Conflict	Model	Price (USD)
99	<b>Metallic Paint to Sample</b> This option usually results in a production delay of 3 to 6 months. Not all color requests can be fulfilled and Porsche may require the customer or dealership to supply a paint sample or paint code in order to conduct feasibility testing. The deadline for submission of MY07 Paint to Sample orders will be approximately March 01, 2007. Contact PCNA for further details and confirmation of deadline.		789 24931		Carrera Coupe Carrera S Coupe Carrera 4 Coupe Carrera 4S Coupe	\$4,315 \$4,315 \$4,315 \$4,315

### Standard Leather

AN	<b>Black Standard Leather</b>				Carrera Coupe Carrera S Coupe Carrera 4 Coupe Carrera 4S Coupe	\$0 \$0 \$0 \$0
DC	<b>Stone Grey Standard Leather</b>				Carrera Coupe Carrera S Coupe Carrera 4 Coupe Carrera 4S Coupe	\$0 \$0 \$0 \$0
FB	<b>Sea Blue Standard Leather</b>				Carrera Coupe Carrera S Coupe Carrera 4 Coupe Carrera 4S Coupe	\$0 \$0 \$0 \$0
JU	<b>Palm Green Standard Leather</b>				Carrera Coupe Carrera S Coupe Carrera 4 Coupe Carrera 4S Coupe	\$0 \$0 \$0 \$0
TD	<b>Sand Beige Standard Leather</b>				Carrera Coupe Carrera S Coupe Carrera 4 Coupe Carrera 4S Coupe	\$0 \$0 \$0 \$0

Option	Description	Must Pick	Required	Conflict	Model	Price (USD)	
<b>Leather for Sport Seats</b>							
<b>AP</b>	<b>Black Sport Seats</b>		P01 P77		Carrera Coupe	\$360	
					Carrera S Coupe	\$360	
					Carrera 4 Coupe	\$360	
					Carrera 4S Coupe	\$360	
<b>DD</b>	<b>Stone Grey Sport Seats</b>		P01 P77		Carrera Coupe	\$360	
					Carrera S Coupe	\$360	
					Carrera 4 Coupe	\$360	
					Carrera 4S Coupe	\$360	
<b>FC</b>	<b>Sea Blue Sport Seats</b>		P01 P77		Carrera Coupe	\$360	
					Carrera S Coupe	\$360	
					Carrera 4 Coupe	\$360	
					Carrera 4S Coupe	\$360	
<b>JV</b>	<b>Palm Green Sport Seats</b>		P01 P77		Carrera Coupe	\$360	
					Carrera S Coupe	\$360	
					Carrera 4 Coupe	\$360	
					Carrera 4S Coupe	\$360	
<b>TE</b>	<b>Sand Beige Sport Seats</b>		P01 P77		Carrera Coupe	\$360	
					Carrera S Coupe	\$360	
					Carrera 4 Coupe	\$360	
					Carrera 4S Coupe	\$360	
<b>P77</b>	<b>Leather Sport Seats</b> Manual height and front/back adjustment. Power recline. Seatbacks in Volcano Grey.				982 AN AR DC DE	Carrera Coupe	\$400
					FD FB JW JU TD	Carrera S Coupe	\$400
					TF P01 P01L P15	Carrera 4 Coupe	\$400
					P78	Carrera 4S Coupe	\$400

Option	Description	Must Pick	Required	Conflict	Model	Price (USD)
--------	-------------	-----------	----------	----------	-------	-------------

### Leather Seats

AR	Black Leather Seats				Carrera Coupe	\$1,520
					Carrera S Coupe	\$1,520
					Carrera 4 Coupe	\$1,520
					Carrera 4S Coupe	\$1,520
DE	Stone Grey Leather Seats				Carrera Coupe	\$1,520
					Carrera S Coupe	\$1,520
					Carrera 4 Coupe	\$1,520
					Carrera 4S Coupe	\$1,520
FD	Sea Blue Leather Seats				Carrera Coupe	\$1,520
					Carrera S Coupe	\$1,520
					Carrera 4 Coupe	\$1,520
					Carrera 4S Coupe	\$1,520
JW	Palm Green Leather Seats				Carrera Coupe	\$1,520
					Carrera S Coupe	\$1,520
					Carrera 4 Coupe	\$1,520
					Carrera 4S Coupe	\$1,520
TF	Sand Beige Leather Seats				Carrera Coupe	\$1,520
					Carrera S Coupe	\$1,520
					Carrera 4 Coupe	\$1,520
					Carrera 4S Coupe	\$1,520

### Full Leather

AT	Black Full Leather				Carrera Coupe	\$3,365
					Carrera S Coupe	\$3,365
					Carrera 4 Coupe	\$3,365
					Carrera 4S Coupe	\$3,365



Option	Description	Must Pick	Required	Conflict	Model	Price (USD)
DF	Stone Grey Full Leather				Carrera Coupe	\$3,365
					Carrera S Coupe	\$3,365
					Carrera 4 Coupe	\$3,365
					Carrera 4S Coupe	\$3,365
FE	Sea Blue Full Leather				Carrera Coupe	\$3,365
					Carrera S Coupe	\$3,365
					Carrera 4 Coupe	\$3,365
					Carrera 4S Coupe	\$3,365
JX	Palm Green Full Leather				Carrera Coupe	\$3,365
					Carrera S Coupe	\$3,365
					Carrera 4 Coupe	\$3,365
					Carrera 4S Coupe	\$3,365
TG	Sand Beige Full Leather				Carrera Coupe	\$3,365
					Carrera S Coupe	\$3,365
					Carrera 4 Coupe	\$3,365
					Carrera 4S Coupe	\$3,365
<b>Special Leather</b>						
05	Natural Leather Grey		998		Carrera Coupe	\$4,875
					Carrera S Coupe	\$4,875
					Carrera 4 Coupe	\$4,875
					Carrera 4S Coupe	\$4,875
06	Natural Leather Brown		998		Carrera Coupe	\$4,875
					Carrera S Coupe	\$4,875
					Carrera 4 Coupe	\$4,875
					Carrera 4S Coupe	\$4,875

Option	Description	Must Pick	Required	Conflict	Model	Price (USD)
<b>BK</b>	<b>Black/Stone Grey Interior</b> Leather Black: Windshield pillar and frame, B and C pillars, upper dash and instrument hump, steering wheel rim, top door molding. Leather Stone Grey: Bottom dash, side covers of center console, storage lid of center console, gearshift and handbrake lever, door handle, door pocket cover and frame, door center panel, rear side covering. Soft Paint Stone Grey: Dashboard end cover, rear center console, incl. ashtray lid handle recess cover, handbrake lever, storage box in rear center console, cover dashboard/frame tiptronic S shift gate, loudspeaker cover, cover front loudspeaker, door pocket frame. Seats in Stone Grey leather. Sunvisors in Black. Carpeting in Stone Grey.		970		<i>Carrera Coupe</i> <i>Carrera S Coupe</i> <i>Carrera 4 Coupe</i> <i>Carrera 4S Coupe</i>	\$3,795 \$3,795 \$3,795 \$3,795
<b>BM</b>	<b>Black/Sand Beige Interior</b> Leather Black: Windshield pillar and frame, B and C pillars, upper dash and instrument hump, steering wheel rim, top door molding. Leather Sand Beige: Bottom dash, side covers of center console, storage lid of center console, gearshift and handbrake lever, door handle, door pocket cover and frame, door center panel, rear side covering. Soft Paint Sand Beige: Dashboard end cover, rear center console, incl. ashtray lid handle recess cover, handbrake lever, storage box in rear center console, cover dashboard/frame tiptronic S shift gate, loudspeaker cover, cover front loudspeaker, door pocket frame. Seats in Sand Beige leather. Sunvisors in Black. Carpeting in Sand Beige.		970		<i>Carrera Coupe</i> <i>Carrera S Coupe</i> <i>Carrera 4 Coupe</i> <i>Carrera 4S Coupe</i>	\$3,795 \$3,795 \$3,795 \$3,795

Option	Description	Must Pick	Required	Conflict	Model	Price (USD)
<b>BP</b>	<b>Black/Terracotta Interior</b> Leather Black: Windshield pillar and frame, B and C pillars, upper dash and instrument hump, steering wheel rim, top door molding. Leather Terracotta: Bottom dash, side covers of center console, storage lid of center console, gearshift and handbrake lever, door handle, door pocket cover and frame, door center panel, rear side covering. Soft Paint Terracotta: Dashboard end cover, rear center console, incl. ashtray lid handle recess cover, handbrake lever, storage box in rear center console, cover dashboard/frame tiptronic S shift gate, loudspeaker cover, cover front loudspeaker, door pocket frame. Seats in Terracotta leather. Sunvisors in Black. Carpeting in Terracotta.		970		Carrera Coupe	\$3,795
					Carrera S Coupe	\$3,795
					Carrera 4 Coupe	\$3,795
					Carrera 4S Coupe	\$3,795
<b>MB</b>	<b>Special Leather Terracotta</b>				Carrera Coupe	\$3,795
					Carrera S Coupe	\$3,795
					Carrera 4 Coupe	\$3,795
					Carrera 4S Coupe	\$3,795
<b>RA</b>	<b>Special Leather Cocoa</b>				Carrera Coupe	\$3,795
					Carrera S Coupe	\$3,795
					Carrera 4 Coupe	\$3,795
					Carrera 4S Coupe	\$3,795

### Leather to Sample

<b>99</b>	<b>Leather Interior to Sample</b> This option usually results in a production delay of 3 to 6 months. An interior sketch is required. Not all leather requests can be fulfilled and Porsche may require the customer or dealership to supply a leather sample or previous interior code in order to conduct feasibility testing. The deadline for submission of MY07 Leather to Sample orders will be approximately March 01, 2007 Contact PCNA for further details and confirmation of the deadline. Note: Loudspeaker grills (door and dash) in black, steering wheel and airbag cover in black. Steering wheel rim and gearshift boot in black unless Exclusive options are ordered.		00341 24961 24941		Carrera Coupe	\$5,115
					Carrera S Coupe	\$5,115
					Carrera 4 Coupe	\$5,115
					Carrera 4S Coupe	\$5,115

Option	Description	Must Pick	Required	Conflict	Model	Price (USD)
<b>Floormats</b>						
<b>CFX</b>	<b>Floor Mats With Colored Trim</b> Floormats in interior color with trim in choice of Black, Sea Blue, Stone Grey, Sand Beige, Palm Green, Cocoa, Natural Brown, Speed Yellow, and Guards Red.			M6A M6B M6C	Carrera Coupe	\$510
				M6G M6H M6N	Carrera S Coupe	\$510
				M6T	Carrera 4 Coupe	\$510
					Carrera 4S Coupe	\$510
<b>M6A</b>	<b>Black Mats - Porsche lettering</b>			M6B M6C M6G	Carrera Coupe	\$115
				M6H M6N M6T	Carrera S Coupe	\$115
				CFX	Carrera 4 Coupe	\$115
					Carrera 4S Coupe	\$115
<b>M6B</b>	<b>Sea Blue Floor Mats</b>			M6A M6C M6G	Carrera Coupe	\$115
				M6H M6N M6T	Carrera S Coupe	\$115
				CFX	Carrera 4 Coupe	\$115
					Carrera 4S Coupe	\$115
<b>M6C</b>	<b>Cocoa Floor Mats</b>			M6A M6B M6G	Carrera Coupe	\$115
				M6H M6N M6T	Carrera S Coupe	\$115
				CFX	Carrera 4 Coupe	\$115
					Carrera 4S Coupe	\$115
<b>M6G</b>	<b>Stone Grey Floor Mats</b>			M6A M6B M6C	Carrera Coupe	\$115
				M6H M6N M6T	Carrera S Coupe	\$115
				CFX	Carrera 4 Coupe	\$115
					Carrera 4S Coupe	\$115
<b>M6H</b>	<b>Natural Brown Floor Mats</b>			M6A M6B M6C	Carrera Coupe	\$115
				M6G M6N M6T	Carrera S Coupe	\$115
				CFX	Carrera 4 Coupe	\$115
					Carrera 4S Coupe	\$115
<b>M6N</b>	<b>Sand Beige Floor Mats</b>			M6A M6B M6C	Carrera Coupe	\$115
				M6G M6H M6T	Carrera S Coupe	\$115
				CFX	Carrera 4 Coupe	\$115
					Carrera 4S Coupe	\$115

Option	Description	Must Pick	Required	Conflict	Model	Price (USD)
<b>M6T</b>	<b>Terracotta Floor Mats</b>			M6A M6B M6C M6G M6H M6N CFX	Carrera Coupe	\$115
					Carrera S Coupe	\$115
					Carrera 4 Coupe	\$115
					Carrera 4S Coupe	\$115
<b>Seats</b>						
<b>342</b>	<b>Heated Front Seats</b> Multi stage heated front seats.				Carrera Coupe	\$480
					Carrera S Coupe	\$480
					Carrera 4 Coupe	\$480
					Carrera 4S Coupe	\$480
<b>982</b>	<b>Supple Leather Front and Rear</b> Soft ruffled leather on seat center.	AR DE FD JW TF AT DF FE JX TG 05 06 MB RA 99 BP BM BK		P01 P01L P77 P78	Carrera Coupe	\$395
					Carrera S Coupe	\$395
					Carrera 4 Coupe	\$395
					Carrera 4S Coupe	\$395
<b>P01</b>	<b>Adaptive Sport Seats</b> Sport seats with electric adjustment for all seat functions, adjustable side bolsters, memory function for seat, and mirrors. Includes lumbar adjustment on driver side. Seatbacks in Volcano Grey.			982 AN DC FB JU P01L P15 P77	Carrera Coupe	\$2,695
					Carrera S Coupe	\$2,695
					Carrera 4 Coupe	\$2,695
					Carrera 4S Coupe	\$2,695
<b>P15</b>	<b>Power Seat Package</b> Power Seat Package with driver memory and full electrical adjustment. Includes lumbar adjustment on driver side.			P01 P77 P78	Carrera Coupe	\$1,550
					Carrera S Coupe	\$1,550
					Carrera 4 Coupe	\$1,550
					Carrera 4S Coupe	\$1,550
<b>XSC</b>	<b>Porsche Crest in Headrest</b>				Carrera Coupe	\$270
					Carrera S Coupe	\$270
					Carrera 4 Coupe	\$270
					Carrera 4S Coupe	\$270

Option	Description	Must Pick	Required	Conflict	Model	Price (USD)
<b>Audio &amp; Communications</b>						
<b>461</b>	<b>Rod Antenna</b> External antenna to improve AM reception. Coupe: Mounted on roof above rear window. Cabriolet: Mounted on right front fender.				Carrera Coupe Carrera S Coupe Carrera 4 Coupe Carrera 4S Coupe	\$0 \$0 \$0 \$0
<b>635</b>	<b>Park Assist System</b> Distance sensors integrated in rear bumper.				Carrera Coupe Carrera S Coupe Carrera 4 Coupe Carrera 4S Coupe	\$530 \$530 \$530 \$530
<b>640</b>	<b>Sport Chrono Package Plus</b> Package includes analog and digital chronometer, sport button in the center console and display in the PCM. Also adds ability to adjust lighting, wipers, AC and door locking to suit personal preference.				Carrera Coupe Carrera S Coupe Carrera 4 Coupe Carrera 4S Coupe	\$920 \$920 \$920 \$920
<b>641</b>	<b>Electronic Logbook</b> Enables automatic acquisition of mileage, driving distance, date, time and address of starting point and destination at every trip including PC-software for data download and evaluation.	670 672			Carrera Coupe Carrera S Coupe Carrera 4 Coupe Carrera 4S Coupe	\$650 \$650 \$650 \$650
<b>666</b>	<b>Module for Telephone PCM</b> Phone module for PCM allows users with a GSM phone to insert a SIM card and use the PCM as a hands-free telephone.				Carrera Coupe Carrera S Coupe Carrera 4 Coupe Carrera 4S Coupe	\$960 \$960 \$960 \$960
<b>668</b>	<b>Handset for Telephone Module</b> Passive handset for telephone module. Handset does not have dialing capability.		666		Carrera Coupe Carrera S Coupe Carrera 4 Coupe Carrera 4S Coupe	\$260 \$260 \$260 \$260
<b>670</b>	<b>Navigation for PCM</b> DVD - based navigation system utilizing one disc for US and Canada.			672	Carrera Coupe Carrera S Coupe Carrera 4 Coupe Carrera 4S Coupe	\$2,070 \$2,070 \$2,070 \$2,070

Option	Description	Must Pick	Required	Conflict	Model	Price (USD)
672	<b>Extended Navigation Module</b> Records route and triangulates vehicle position in unmapped areas and allows for "back-track" navigation via GPS and compass coordinates.			670	Carrera Coupe	\$2,275
					Carrera S Coupe	\$2,275
					Carrera 4 Coupe	\$2,275
					Carrera 4S Coupe	\$2,275
680	<b>Bose High End Sound Package</b> Digital surround sound, 14 speakers, 7 channel amplifier with 325 watts, and automatic adjustment of tone and volume to compensate for ambient noise.				Carrera Coupe	\$1,390
					Carrera S Coupe	\$1,390
					Carrera 4 Coupe	\$1,390
					Carrera 4S Coupe	\$1,390
692	<b>Remote CD Changer (6 Disc)</b>				Carrera Coupe	\$650
					Carrera S Coupe	\$650
					Carrera 4 Coupe	\$650
					Carrera 4S Coupe	\$650
<b>Technical</b>						
249	<b>Tiptronic S</b> 5-speed automatic transmission with gear selectors mounted on the steering wheel.			X97	Carrera Coupe	\$3,420
					Carrera S Coupe	\$3,420
					Carrera 4 Coupe	\$3,420
					Carrera 4S Coupe	\$3,420
267	<b>Self Dimming Mirrors</b>				Carrera Coupe	\$385
					Carrera S Coupe	\$385
					Carrera 4 Coupe	\$385
					Carrera 4S Coupe	\$385
425	<b>Rear Window Wiper</b>				Carrera Coupe	\$360
					Carrera S Coupe	\$360
					Carrera 4 Coupe	\$360
					Carrera 4S Coupe	\$360
450	<b>Ceramic Composite Brakes-PCCB</b>				Carrera Coupe	\$8,150
					Carrera S Coupe	\$8,150
					Carrera 4 Coupe	\$8,150
					Carrera 4S Coupe	\$8,150

Option	Description	Must Pick	Required	Conflict	Model	Price (USD)
475	<b>PASM</b> Porsche Active Suspension Management system. Includes active management of suspension firmness and a ride height decrease of -10mm from the standard suspension.				Carrera Coupe	\$1,990
					Carrera 4 Coupe	\$1,990
509	<b>Fire Extinguisher</b>				Carrera Coupe	\$140
					Carrera S Coupe	\$140
					Carrera 4 Coupe	\$140
					Carrera 4S Coupe	\$140
549	<b>Roof Transport System</b>				Carrera Coupe	\$400
					Carrera S Coupe	\$400
					Carrera 4 Coupe	\$400
					Carrera 4S Coupe	\$400
P74	<b>Bi-Xenon Headlamp Package</b> Xenon Headlamp Package with dynamic leveling and headlight washers.				Carrera Coupe	\$1,090
					Carrera 4 Coupe	\$1,090
X51	<b>Carrera Power Kit</b>			XLF X54	Carrera S Coupe	\$16,900
					Carrera 4S Coupe	\$16,900
X54	<b>Stainless Steel Exhaust Pipes</b>			XLF X51	Carrera Coupe	\$750
					Carrera S Coupe	\$360
					Carrera 4 Coupe	\$750
					Carrera 4S Coupe	\$360
XLF	<b>Sport Exhaust System</b> Two stage exhaust. Includes interior switch between normal exhaust and sport exhaust.			X51 X54	Carrera Coupe	\$2,400
					Carrera S Coupe	\$2,400
					Carrera 4 Coupe	\$2,400
					Carrera 4S Coupe	\$2,400
<b>Wheels</b>						
403	<b>19" Carrera S Wheel</b>			404 405 407 XRR	Carrera Coupe	\$1,550
					Carrera 4 Coupe	\$1,550



Option	Description	Must Pick	Required	Conflict	Model	Price (USD)
404	19" Turbo Wheel			403 405 407 446 XD9 XRR	Carrera Coupe	\$2,440
					Carrera S Coupe	\$890
					Carrera 4 Coupe	\$2,440
					Carrera 4S Coupe	\$890
405	19" Carrera Classic Wheel			403 404 407 XD9 XRR	Carrera Coupe	\$1,940
					Carrera S Coupe	\$390
					Carrera 4 Coupe	\$1,940
					Carrera 4S Coupe	\$390
407	19" Sport Design Wheel			403 404 405 XRR	Carrera Coupe	\$1,940
					Carrera S Coupe	\$390
					Carrera 4 Coupe	\$1,940
					Carrera 4S Coupe	\$390
446	Wheel Caps with Colored Crest			404 CDB XD9 XRR	Carrera Coupe	\$185
					Carrera S Coupe	\$185
					Carrera 4 Coupe	\$185
					Carrera 4S Coupe	\$185
XD9	Rims and Caps - Exterior Color			404 405 446	Carrera Coupe	\$1,290
					Carrera S Coupe	\$1,290
					Carrera 4 Coupe	\$1,290
					Carrera 4S Coupe	\$1,290
XRP	5mm Wheel Spacers			XRR	Carrera Coupe	\$490
					Carrera S Coupe	\$490
					Carrera 4 Coupe	\$490
					Carrera 4S Coupe	\$490
XRR	19" Carrera Sport Wheel Painted in GT Silver metallic.			403 405 407 446 XRP	Carrera Coupe	\$2,385
					Carrera S Coupe	\$835
					Carrera 4 Coupe	\$2,385
					Carrera 4S Coupe	\$835

Option	Description	Must Pick	Required	Conflict	Model	Price (USD)
<b>Interior Cosmetic</b>						
022	Instrument Dials in Black			XFD XFE XFF XFG XFH XFJ	Carrera S Coupe	\$0
					Carrera 4S Coupe	\$0
X70	Metal Door Sill Model Insignia			X69	Carrera Coupe	\$415
					Carrera S Coupe	\$415
					Carrera 4 Coupe	\$415
					Carrera 4S Coupe	\$415
X97	Gear Shifter Aluminum			99 249 801 802 803 DAD ECA	Carrera Coupe	\$880
					Carrera S Coupe	\$880
					Carrera 4 Coupe	\$880
					Carrera 4S Coupe	\$880
XFD	Instrument Dials Sand Beige			XFE XFF XFG XFH XFJ 022	Carrera Coupe	\$860
					Carrera S Coupe	\$860
					Carrera 4 Coupe	\$860
					Carrera 4S Coupe	\$860
XFE	Instrument Dials Terracotta			XFF XFG XFH XFJ XFD 022	Carrera Coupe	\$860
					Carrera S Coupe	\$860
					Carrera 4 Coupe	\$860
					Carrera 4S Coupe	\$860
XFF	Instrument Dials Natural Brown			XFG XFH XFJ XFE XFD 022	Carrera Coupe	\$860
					Carrera S Coupe	\$860
					Carrera 4 Coupe	\$860
					Carrera 4S Coupe	\$860
XFG	Instrument Dials Guards Red			XFH XFJ XFE XFF XFD 022	Carrera Coupe	\$860
					Carrera S Coupe	\$860
					Carrera 4 Coupe	\$860
					Carrera 4S Coupe	\$860

Option	Description	Must Pick	Required	Conflict	Model	Price (USD)
XFH	Instrument Dials Speed Yellow			XFJ XFE XFF XFG XFD 022	Carrera Coupe	\$860
					Carrera S Coupe	\$860
					Carrera 4 Coupe	\$860
					Carrera 4S Coupe	\$860
XFJ	Instrument Dials Carrara White			XFE XFF XFG XFH XFD 022	Carrera Coupe	\$860
					Carrera S Coupe	\$860
					Carrera 4 Coupe	\$860
					Carrera 4S Coupe	\$860
XSH	Seat Belts Silver			XSX XSY	Carrera Coupe	\$540
					Carrera S Coupe	\$540
					Carrera 4 Coupe	\$540
					Carrera 4S Coupe	\$540
XSX	Seat Belts - Guards Red			XSY XSH	Carrera Coupe	\$540
					Carrera S Coupe	\$540
					Carrera 4 Coupe	\$540
					Carrera 4S Coupe	\$540
XSY	Seat Belts - Speed Yellow			XSH XSX	Carrera Coupe	\$540
					Carrera S Coupe	\$540
					Carrera 4 Coupe	\$540
					Carrera 4S Coupe	\$540
XXZ	Foot Rest Aluminum Driver's side foot rest in aluminum and rubber.				Carrera Coupe	\$250
					Carrera S Coupe	\$250
					Carrera 4 Coupe	\$250
					Carrera 4S Coupe	\$250
<b>Interior Options in Leather</b>						
431	3-Spoke Str Whl Multifctn lthr 3-Spoke multi-function steering wheel in smooth leather.			435 451 452 453 459 460 XPA XPV	Carrera Coupe	\$990
					Carrera S Coupe	\$740
					Carrera 4 Coupe	\$990
					Carrera 4S Coupe	\$740

Option	Description	Must Pick	Required	Conflict	Model	Price (USD)
435	<b>Sport Steering Wheel</b> Three spoke steering wheel with smaller diameter and contoured rim.			431 451 452	Carrera Coupe	\$250
				453 459 460	Carrera 4 Coupe	\$250
				XPA XPV		
459	<b>Steering Wheel in Smooth Lthr</b>			431 435 451	Carrera Coupe	\$490
				452 453 460	Carrera S Coupe	\$240
				XPA XPV	Carrera 4 Coupe	\$490
					Carrera 4S Coupe	\$240
460	<b>Leather Sport Str Wheel</b> 3-spoke sport steering wheel in smooth leather.			431 435 451	Carrera Coupe	\$740
				452 453 459	Carrera S Coupe	\$490
				XPA XPV	Carrera 4 Coupe	\$740
					Carrera 4S Coupe	\$490
EAA	<b>Leather Package Switch Panel</b> Leather finish in interior color. Side air vents (2.5a), side air vent slats (2.5b), central air vents incl. switch trim (2.6a), central air vent slats (2.6b), loudspeaker finisher on switch panel (center; 2.8b), defroster trim (2.4a), trim strip switch panel incl. cupholder trim (2.3).			EAB EAC EAD EAE	Carrera Coupe	\$2,050
				801 802 803	Carrera S Coupe	\$2,050
					Carrera 4 Coupe	\$2,050
					Carrera 4S Coupe	\$2,050
XEA	<b>PCM Handset Leather</b> Leather finish interior color: PCM Handset including three part support.		668		Carrera Coupe	\$415
					Carrera S Coupe	\$415
					Carrera 4 Coupe	\$415
					Carrera 4S Coupe	\$415
XMA	<b>A/B Pilar/Roof Liner Leather</b>				Carrera Coupe	\$1,180
					Carrera S Coupe	\$1,180
					Carrera 4 Coupe	\$1,180
					Carrera 4S Coupe	\$1,180
XMP	<b>Lthr Sun Visors Lighted Mirror</b>				Carrera Coupe	\$560
					Carrera S Coupe	\$560
					Carrera 4 Coupe	\$560
					Carrera 4S Coupe	\$560

Option	Description	Must Pick	Required	Conflict	Model	Price (USD)	
<b>XMZ</b>	<b>Rear Center Console - Leather</b>				XMJ XCK XME XJT	Carrera Coupe	\$1,260
					XJU	Carrera S Coupe	\$1,260
						Carrera 4 Coupe	\$1,260
						Carrera 4S Coupe	\$1,260
<b>XNG</b>	<b>Instrument Surround in Leather</b> Leather finish in interior color: instrument surround (2.0d).				CDP EAE XCL	Carrera Coupe	\$260
						Carrera S Coupe	\$260
						Carrera 4 Coupe	\$260
						Carrera 4S Coupe	\$260
<b>XNS</b>	<b>Steering Column in Leather</b> 2.2i					Carrera Coupe	\$420
						Carrera S Coupe	\$420
						Carrera 4 Coupe	\$420
						Carrera 4S Coupe	\$420
<b>XPA</b>	<b>3-Spoke Str Whl-Interior Lthr</b> Thicker 3-spoke sports steering wheel in smooth leather.				431 435 451	Carrera Coupe	\$1,050
					452 453 459	Carrera S Coupe	\$800
					460 XPV	Carrera 4 Coupe	\$1,050
						Carrera 4S Coupe	\$800
<b>XSB</b>	<b>Sport Seat Backs in Leather</b> Front Seat Backs in leather in interior color.	P77 P01			XCG XSA	Carrera Coupe	\$1,610
						Carrera S Coupe	\$1,610
						Carrera 4 Coupe	\$1,610
						Carrera 4S Coupe	\$1,610
<b>XTG</b>	<b>Inner Sill Parts/Release-Lthr</b> Inner sill finishers (3.5) in leather in interior color.					Carrera Coupe	\$585
						Carrera S Coupe	\$585
						Carrera 4 Coupe	\$585
						Carrera 4S Coupe	\$585
<b>XTV</b>	<b>Door Finishers in Leather</b> Leather finish in interior color: door opener trim (3.2c) .				XTL XTT XTU XTW	Carrera Coupe	\$360
						Carrera S Coupe	\$360
						Carrera 4 Coupe	\$360
						Carrera 4S Coupe	\$360

Option	Description	Must Pick	Required	Conflict	Model	Price (USD)
XZD	<b>Dome Lamp Cover - Leather</b> 1.1				Carrera Coupe	\$335
					Carrera S Coupe	\$335
					Carrera 4 Coupe	\$335
					Carrera 4S Coupe	\$335
<b>Custom Tailoring and Deviations - Leather</b>						
CDT	<b>Seat Belt Buckles Leather</b> front and rear (5.8).				Carrera Coupe	\$760
					Carrera S Coupe	\$760
					Carrera 4 Coupe	\$760
					Carrera 4S Coupe	\$760
CDU	<b>Belt Outlet B Pillar Leather</b> 1.3b.			CCW CDR CFE CFS CJJ DAB	Carrera Coupe	\$220
					Carrera S Coupe	\$220
					Carrera 4 Coupe	\$220
					Carrera 4S Coupe	\$220
CDW	<b>"Y" Trim Strng Wheel in Lthr.</b> 2.2e.	431 451 452 453 459		435 460 CDD XPA	Carrera Coupe	\$290
					Carrera S Coupe	\$290
					Carrera 4 Coupe	\$290
					Carrera 4S Coupe	\$290
CDZ	<b>Gear Lever Trim Leather</b> Gear lever trim (4.1b).			249 CDF	Carrera Coupe	\$250
					Carrera S Coupe	\$250
					Carrera 4 Coupe	\$250
					Carrera 4S Coupe	\$250
CFA	<b>Tiptronic Gate Leather</b> Leather finish interior color including decorative stitching where appropriate: Tiptronic gear selector surround (4.1c).		249	CDZ CDJ CDF	Carrera Coupe	\$310
					Carrera S Coupe	\$310
					Carrera 4 Coupe	\$310
					Carrera 4S Coupe	\$310
CFP	<b>Tip Handbrake Lever Alu/Lthr</b>		249	801 802 803 ECA DAD X97	Carrera Coupe	\$780
					Carrera S Coupe	\$780
					Carrera 4 Coupe	\$780
					Carrera 4S Coupe	\$780

Option	Description	Must Pick	Required	Conflict	Model	Price (USD)
<b>CNA</b>	<b>Defroster Trim Leather</b> 2.4a			CDG CMG EAA EAB EAC EAD EAE	Carrera Coupe	\$580
					Carrera S Coupe	\$580
					Carrera 4 Coupe	\$580
					Carrera 4S Coupe	\$580
<b>CNB</b>	<b>Defroster air vents leather</b> 2.4b				Carrera Coupe	\$390
					Carrera S Coupe	\$390
					Carrera 4 Coupe	\$390
					Carrera 4S Coupe	\$390
<b>CPA</b>	<b>Thicker Leather Steering Wheel</b> Increases thickness of leather on selected steering wheel rim (2.2a). Includes cross stitched seam.	431 459		435 451 452 453 460 XPA XPV	Carrera Coupe	\$930
					Carrera S Coupe	\$930
					Carrera 4 Coupe	\$930
					Carrera 4S Coupe	\$930
<b>CPT</b>	<b>Storage Lid Bin W/Porsche Crst</b> 4.4c			CUV	Carrera Coupe	\$290
					Carrera S Coupe	\$290
					Carrera 4 Coupe	\$290
					Carrera 4S Coupe	\$290
<b>CPU</b>	<b>Key Pouch Interior Color Leath</b>				Carrera Coupe	\$95
					Carrera S Coupe	\$95
					Carrera 4 Coupe	\$95
					Carrera 4S Coupe	\$95
<b>CUJ</b>	<b>Fuse Box trim Leather</b> Fuse box cover (3.9).				Carrera Coupe	\$140
					Carrera S Coupe	\$140
					Carrera 4 Coupe	\$140
					Carrera 4S Coupe	\$140
<b>CUR</b>	<b>PCM Package Leather</b>			CUF CCP CMF	Carrera Coupe	\$2,230
					Carrera S Coupe	\$2,230
					Carrera 4 Coupe	\$2,230
					Carrera 4S Coupe	\$2,230

Option	Description	Must Pick	Required	Conflict	Model	Price (USD)
CUV	<b>Storage Cmpt Lid W/Model Logo</b>			CPT	Carrera Coupe	\$290
					Carrera S Coupe	\$290
					Carrera 4 Coupe	\$290
					Carrera 4S Coupe	\$290
CUX	<b>Release Lever Rear Seats Lthr</b> 5.9d			DAC	Carrera Coupe	\$310
					Carrera S Coupe	\$310
					Carrera 4 Coupe	\$310
					Carrera 4S Coupe	\$310
CVP	<b>Trim Strip Leather</b> 2.3			CDE CDM CMM EAA 801 802 803	Carrera Coupe	\$590
					Carrera S Coupe	\$590
					Carrera 4 Coupe	\$590
					Carrera 4S Coupe	\$590
CVT	<b>Door and Rear Speakers Lthr</b> Smooth leather finish in interior color including decorative stitching where appropriate: door panel trim (3.4), loudspeaker finishers (mid-tone 3.8a), loudspeaker finishers (bass 3.8b). speaker grilles in soft touch paint interior color. Seat memory trim in black plastic.				Carrera Coupe	\$2,570
					Carrera S Coupe	\$2,570
					Carrera 4 Coupe	\$2,570
					Carrera 4S Coupe	\$2,570
CVW	<b>Rear View Mirror Leather</b> Rear view mirror frame (1.2a), rear view mirror casing (1.2b and 1.2c).				Carrera Coupe	\$475
					Carrera S Coupe	\$475
					Carrera 4 Coupe	\$475
					Carrera 4S Coupe	\$475
CVY	<b>Clothes Hook Backrest Leather</b> 5.3b			DAB	Carrera Coupe	\$240
					Carrera S Coupe	\$240
					Carrera 4 Coupe	\$240
					Carrera 4S Coupe	\$240
CVZ	<b>Bose Subwoofer Outlets Leather</b>		680		Carrera Coupe	\$220
					Carrera S Coupe	\$220
					Carrera 4 Coupe	\$220
					Carrera 4S Coupe	\$220



Option	Description	Must Pick	Required	Conflict	Model	Price (USD)
<b>DAA</b>	<b>Interior Pkg A Pillar Leather</b> Leather finish in interior color including decorative stitching where appropriate: switch panel end trim (2.1b), ignition lock surround (2.7a), mirror attachment point finishers including mirror controls and base plate (3.0b).				Carrera Coupe	\$740
					Carrera S Coupe	\$740
					Carrera 4 Coupe	\$740
					Carrera 4S Coupe	\$740
<b>DAB</b>	<b>Interior Pkg B Pillar Leather</b> Leather finish interior color including decorative stitching where appropriate: belt outlet on B pillar (left/right; 1.3b), belt height adjustment trim on B pillars (1.3c), clothes hook on B pillars (1.3d), clothes hook seat backrest (5.3b).			CVY CDU	Carrera Coupe	\$955
					Carrera S Coupe	\$955
					Carrera 4 Coupe	\$955
					Carrera 4S Coupe	\$955
<b>DAC</b>	<b>Interior Pkg C Pillar Leather</b> Leather finish interior color including decorative stitching where appropriate: belt outlet on C pillars (1.4b), rear air vent (1.4c), luggage stop on rear backrests (5.6), release lever on rear seat backrest including base plate (5.7).			CUX	Carrera Coupe	\$1,030
					Carrera S Coupe	\$1,030
					Carrera 4 Coupe	\$1,030
					Carrera 4S Coupe	\$1,030
<b>DAD</b>	<b>Gear Lever/Handbrake Alu./Lthr</b> In aluminum: gear lever (partially; 4.1a) including milled in shift pattern, inlay in handbrake lever (4.3a) with Porsche logo. Smooth leather finish in interior color: handbrake lever (4.3a), handbrake finisher (upper section; 4.3b). Aluminum look paint finish: handbrake finisher (lower section; 4.3c).			249 801 802 803 CFP ECA X97	Carrera Coupe	\$1,680
					Carrera S Coupe	\$1,680
					Carrera 4 Coupe	\$1,680
					Carrera 4S Coupe	\$1,680
<b>Interior Options in Aluminum Look</b>						
<b>EAE</b>	<b>Alum. Look Pkg Switch Panel</b> Side air vent (2.5a), central vent including switch trim (2.6a), instrument surround in aluminum look painted finish (2.0d). Leather finish in interior color: Side air vent slats (2.5d), central air vent slats (2.6b), loudspeaker finisher on switch panel (center 2.8b), defroster trim (2.4a) in leather finish in interior color.			451 452 801 802 CDA EAA EAB EAC EAD XCL XJT XJU XTT XTU XNG	Carrera Coupe	\$1,550
					Carrera S Coupe	\$1,550
					Carrera 4 Coupe	\$1,550
					Carrera 4S Coupe	\$1,550
<b>ECA</b>	<b>Gear/Handbrake Lever Alu Look</b>			249 801 802 803	Carrera Coupe	\$995
					Carrera S Coupe	\$995
					Carrera 4 Coupe	\$995
					Carrera 4S Coupe	\$995

Option	Description	Must Pick	Required	Conflict	Model	Price (USD)
<b>XCG</b>	<b>Seat Backs In Aluminum Look</b> Backrests of sport seats painted in aluminum look.	P01 P77		XSA XSB	Carrera Coupe	\$1,495
					Carrera S Coupe	\$1,495
					Carrera 4 Coupe	\$1,495
					Carrera 4S Coupe	\$1,495
<b>XCK</b>	<b>Rear Cnt.Cnsl in Aluminum Look</b> Rear section of center (4.4a) console including ashtray cover storage tray rear section of center console in aluminum look painted finish. Handbrake lever recess trim (4.4b) in leather finish in interior color.			451 452 801 802 XME XMZ XMJ XJT XJU XTT XTU	Carrera Coupe	\$730
					Carrera S Coupe	\$730
					Carrera 4 Coupe	\$730
					Carrera 4S Coupe	\$730
<b>XCL</b>	<b>Instrument Surround Alum. Look</b> Aluminum Look finish: instrument surround (2.0d).			CDP EAE XNG	Carrera Coupe	\$360
					Carrera S Coupe	\$360
					Carrera 4 Coupe	\$360
					Carrera 4S Coupe	\$360
<b>XPV</b>	<b>Steer Whl. Multifctn Alum Look</b> Aluminum Look paint with smooth leather in interior color: steering wheel rim (2.2a) with cross stitched seam. Smooth leather finish in interior color: airbag module (2.2b), steering wheel hub cover (2.2g).			431 435 451 452 453 459 460 CPA XPA	Carrera Coupe	\$1,310
					Carrera S Coupe	\$1,060
					Carrera 4 Coupe	\$1,310
					Carrera 4S Coupe	\$1,060
<b>XTW</b>	<b>Door Finishers Aluminum Look</b> Aluminum Look paint finish: Front of door handle (3.2a), lid of door storage bin (3.3a) including lid extension of door bin (3.3c), door opener trim (3.2c).			451 452 801 802 XTT XTL XTU XJT XJU XTV CDH	Carrera Coupe	\$1,550
					Carrera S Coupe	\$1,550
					Carrera 4 Coupe	\$1,550
					Carrera 4S Coupe	\$1,550
<b>Custom Tailoring and Deviations - Aluminum Look</b>						
<b>CCP</b>	<b>PCM Package Alu. Look</b> Aluminum look paint finish: PCM trim (4.0b), climate control trim (4.0c), lower switch trim (4.0d), lower storage bin (4.0e).			CMF CUF CUR	Carrera Coupe	\$2,230
					Carrera S Coupe	\$2,230
					Carrera 4 Coupe	\$2,230
					Carrera 4S Coupe	\$2,230
<b>CCR</b>	<b>PCM Handset Aluminum Look</b> Aluminum look finish upper section. Leather finish interior color: lower section, including support (three part).	668 666		CER CED CFC CFH CML XEA	Carrera Coupe	\$540
					Carrera S Coupe	\$540
					Carrera 4 Coupe	\$540
					Carrera 4S Coupe	\$540

Option	Description	Must Pick	Required	Conflict	Model	Price (USD)
CCW	<b>Belt Outlets B Pillar Alu. Lk</b> 1.3b			CDR CDU CFE CFS CJJ DAB	Carrera Coupe	\$180
					Carrera S Coupe	\$180
					Carrera 4 Coupe	\$180
					Carrera 4S Coupe	\$180
CDA	<b>Air Vent Slats Aluminum Look</b> Side air vent slats (2.5b), central air vent slats (2.6b): Leather finish in interior color side air vents (2.5a), central air vent including switch trim (2.6a).			CDN CDG CMG CMN EAA EAB EAC EAD EAE	Carrera Coupe	\$940
					Carrera S Coupe	\$940
					Carrera 4 Coupe	\$940
					Carrera 4S Coupe	\$940
CDD	<b>"Y" Trim Strng Wheel Alu. Lk</b> 2.2e	431 451 452 453 459		435 460 XPA XPV	Carrera Coupe	\$290
					Carrera S Coupe	\$290
		Carrera 4 Coupe			\$290	
		Carrera 4S Coupe			\$290	
CDE	<b>Trim Strip Aluminum Look</b> 2.3			CDM CVP CMM 801 802 803	Carrera Coupe	\$520
					Carrera 4 Coupe	\$520
CDF	<b>Gear Lever Trim Aluminum Look</b> Decorative trim on gear lever/ selector (4.2).			249 CDJ CDZ CFA CMJ	Carrera Coupe	\$290
					Carrera 4 Coupe	\$290
CNW	<b>Side Mirror Aluminum Look</b> (side mirror lower part of shell)				Carrera Coupe	\$560
					Carrera S Coupe	\$560
					Carrera 4 Coupe	\$560
					Carrera 4S Coupe	\$560

### Interior Options in Carbon

453	<b>Carbon Str Whl Multifctn</b> 3-spoke multi-function steering wheel in carbon. Rim in smooth leather with carbon inlay, airbag module in smooth leather.			431 435 451 452 459 460 801 802 EAB EAC XPA XJT XJU XTT XTU XPV	Carrera Coupe	\$1,360
					Carrera S Coupe	\$1,110
					Carrera 4 Coupe	\$1,360
					Carrera 4S Coupe	\$1,110
803	<b>Carbon Package</b> Carbon fiber finish: trim strip switch panel incl. cupholder trim, five part (2.3) lever or Tiptronic selector (4.1a), handbreak lever (4.3a).			451 452 801 802 CDM ECA XTT XTU X97	Carrera Coupe	\$890
					Carrera S Coupe	\$890
					Carrera 4 Coupe	\$890
					Carrera 4S Coupe	\$890

Option	Description	Must Pick	Required	Conflict	Model	Price (USD)
<b>EAD</b>	<b>Carbon Package Switch Panel</b> Carbon Fiber finish:side air vents (2.5a), central air vent (2.6a). Leather finish in interior color: side air vent slats (2.5b), central air vent slats incl. switch trim (2.6b) Loudspeaker finisher on switch panel (center 2.8b), defroster trim (2.4a) incl. inlay in carbon fiber.			EAA EAB EAC EAE	Carrera Coupe	\$2,700
				451 452 XJT XJU	Carrera S Coupe	\$2,700
				XTT XTU 801 802	Carrera 4 Coupe	\$2,700
				CDN	Carrera 4S Coupe	\$2,700
<b>X69</b>	<b>Carbon Door Sil Model Insignia</b>			X70	Carrera Coupe	\$780
					Carrera S Coupe	\$780
					Carrera 4 Coupe	\$780
					Carrera 4S Coupe	\$780
<b>XMJ</b>	<b>Rear Center Console - Carbon</b> Rear section of centre console (4.4a) including ashtray cover, storage tray rear section of center console in carbon finish. Handbrake lever recess trim (4.4b) in leather finish in interior color.			451 452 801	Carrera Coupe	\$1,625
				802 XCK XME	Carrera S Coupe	\$1,625
				XMZ XJT XJU XTT	Carrera 4 Coupe	\$1,625
				XTU	Carrera 4S Coupe	\$1,625
<b>XTL</b>	<b>Door Finisher in Carbon</b> Front of door handle (3.2a), lid of door storage bin (3.3a) including lid extension of door storage bin (3.3c), door opener trim (3.2c) in carbon finish.			XTT XTU XTW XTV	Carrera Coupe	\$2,700
					Carrera S Coupe	\$2,700
					Carrera 4 Coupe	\$2,700
					Carrera 4S Coupe	\$2,700
<b>Custom Tailoring and Deviations - Carbon</b>						
<b>CED</b>	<b>PCM Handset Carbon</b>		666 668	CCR CER CFC	Carrera Coupe	\$890
				CFH CML XEA	Carrera S Coupe	\$890
					Carrera 4 Coupe	\$890
					Carrera 4S Coupe	\$890
<b>CJJ</b>	<b>Belt Outlet B Pillar Carbon</b> 1.3b			CCW CDR CDU	Carrera Coupe	\$490
				CFE CFS CMR	Carrera S Coupe	\$490
					Carrera 4 Coupe	\$490
					Carrera 4S Coupe	\$490

Option	Description	Must Pick	Required	Conflict	Model	Price (USD)
<b>CXD</b>	<b>Door Entry Grds Carbon Illumin</b> Door entry Guards (right/left 3.6) in carbon with Carrera/ Carrera S/ Carrera 4/ Carrera 4S logo, illuminated in white.			CXB X69 X70	Carrera Coupe	\$1,380
					Carrera S Coupe	\$1,380
					Carrera 4 Coupe	\$1,380
					Carrera 4S Coupe	\$1,380
<b>Interior Options in Light Wood</b>						
<b>452</b>	<b>Sycamore Str Whl Multifctn</b> 3-spoke multi-function steering wheel light Sycamore. Rim in smooth leather with wood inlay, airbag module in smooth leather.			431 435 451 453 459 460 801 803 XPA XMJ XTL XTW XJT XTT	Carrera Coupe	\$1,360
					Carrera S Coupe	\$1,110
					Carrera 4 Coupe	\$1,360
					Carrera 4S Coupe	\$1,110
<b>802</b>	<b>Sycamore Package</b> Light sycamore finish: trim strip switch panel incl. cupholder trim, five part (2.3) gear lever or Tiptronic selector (4.1a), handbreak lever (4.3a).			451 801 803 ECA XCK XMJ XJT	Carrera Coupe	\$890
					Carrera S Coupe	\$890
					Carrera 4 Coupe	\$890
					Carrera 4S Coupe	\$890
<b>EAC</b>	<b>Sycamore Package Switch Panel</b> Light Sycamore finish: side air vents (2.5a), central air vent (2.6a). Leather finish in interior color: side air vent slats (2.5b), central air vent slats incl. switch trim (2.6b) Loudspeaker finisher on switch panel (center 2.8b), defroster trim (2.4a) incl. inlay in Sycamore.			451 801 803 EAA EAB EAD EAE XCK XJT XMJ XTT XTW	Carrera Coupe	\$2,700
					Carrera S Coupe	\$2,700
					Carrera 4 Coupe	\$2,700
					Carrera 4S Coupe	\$2,700
<b>XJU</b>	<b>Rear Ctr. Console Sycamore</b> Light Sycamore finish: rear section of center console including ashtray cover (4.4a), storage tray rear section of center console (4.4d). Leather finish in interior color: handbrake lever recess recess trim (4.4b).			451 453 801 803 XCK XME XMZ XMJ XJT XTT XTW	Carrera Coupe	\$1,625
					Carrera S Coupe	\$1,625
					Carrera 4 Coupe	\$1,625
					Carrera 4S Coupe	\$1,625
<b>XTU</b>	<b>Door Finishers Sycamore</b> Light Sycamore finish: front of door handle (3.2a), lid of door storage bin (3.3a) including lid extension on door storage bin (3.3c), door opener trim (3.2c).			451 453 801 803 XTW XTL XTT XCK XJT XMJ XPV XTV	Carrera Coupe	\$2,700
					Carrera S Coupe	\$2,700
					Carrera 4 Coupe	\$2,700
					Carrera 4S Coupe	\$2,700

Option	Description	Must Pick	Required	Conflict	Model	Price (USD)	
<b>Interior Options in Dark Wood</b>							
<b>451</b>	<b>Makassar Str Whl Multifctn</b> 3-spoke multi-function steering wheel dark Makassar. Rim in smooth leather with wood inlay, airbag module in smooth leather.			431 435 452	Carrera Coupe	\$1,360	
				453 459 460	Carrera S Coupe	\$1,110	
				802 803 XPA XPV	Carrera 4 Coupe	\$1,360	
				XJU XMJ XTL XTU XTW	Carrera 4S Coupe	\$1,110	
<b>801</b>	<b>Makassar Package</b> Dark Makassar finish: trim strip switch panel incl. cupholder trim, five part (2.3) gear lever or Tiptronic selector (4.1a), handbrake lever (4.3a).			452 453 802	Carrera Coupe	\$890	
				803 EAA ECA	Carrera S Coupe	\$890	
				XCK XJU XMJ	Carrera 4 Coupe	\$890	
					Carrera 4S Coupe	\$890	
<b>EAB</b>	<b>Makassar Package Switch Panel</b> Dark Makassar finish: side air vents (2.5a), central air vent (2.6a). Leather finish in interior color: side air vent slats (2.5b), central air vent slats incl. switch trim (2.6b). Loudspeaker finisher on switch panel (center 2.8b), defroster trim (2.4a) incl. inlay in Makassar.			452 802 803	Carrera Coupe	\$2,700	
				CDA EAA EAC	Carrera S Coupe	\$2,700	
				EAD EAE XCK XJU XMJ XTU XTW	Carrera 4 Coupe	\$2,700	
					Carrera 4S Coupe	\$2,700	
<b>XJT</b>	<b>Rear Ctr. Console Makassar</b> Dark makassar finish: rear section of center console incl. ashtray cover (4.4a), storage tray rear section of center console (4.4d). Leather finish in interior color: handbrake lever recess trim (4.4b).			452 802 803	Carrera Coupe	\$1,625	
				XCK XME XMZ	Carrera S Coupe	\$1,625	
				XJU XMJ XTL XTU XTW	Carrera 4 Coupe	\$1,625	
					Carrera 4S Coupe	\$1,625	
<b>XTT</b>	<b>Door Finishers Makassar, Dark</b> Dark Makassar finish: front of door handle (3.2a), lid of door storage bin (3.3a) including lid extension on door storage bin (3.3c), door opener trim (3.2c).			452 453 802	Carrera Coupe	\$2,700	
				803 XCK XJU XTU	Carrera S Coupe	\$2,700	
				XTW XTL XTV	Carrera 4 Coupe	\$2,700	
					Carrera 4S Coupe	\$2,700	
<b>Custom Tailoring and Deviations - Wood</b>							
<b>CFC</b>	<b>PCM Handset Sycamore</b>		666 668		CCR CER CFH	Carrera Coupe	\$890
					CML XEA	Carrera S Coupe	\$890
						Carrera 4 Coupe	\$890
						Carrera 4S Coupe	\$890

Option	Description	Must Pick	Required	Conflict	Model	Price (USD)
CFE	<b>Belt Outlet B Pillar Sycamore</b> 1.3b			CCW CDR CDU CFS CJJ CMR	Carrera Coupe	\$490
					Carrera S Coupe	\$490
					Carrera 4 Coupe	\$490
					Carrera 4S Coupe	\$490
CFH	<b>PCM Handset Makassar</b>		666 668	CCR CER CFC CED CML XEA	Carrera Coupe	\$890
					Carrera S Coupe	\$890
					Carrera 4 Coupe	\$890
					Carrera 4S Coupe	\$890
CFS	<b>Belt Outlet B Pillar Makassar</b> 1.3b			CCW CDR CDU CFE CJJ CMR	Carrera Coupe	\$490
					Carrera S Coupe	\$490
					Carrera 4 Coupe	\$490
					Carrera 4S Coupe	\$490

### Interior Options in Exterior Color

XME	<b>Rear Ctr Cons Painted ExtrClr</b> Exterior paint finish: rear section of center console incl. ashtray cover (4.4a), storage tray rear section of center console (4.4d). Leather finish in interior color: handbrake lever recess trim (4.4b).			XMZ XMJ XCK XJU XJT	Carrera Coupe	\$730
					Carrera S Coupe	\$730
					Carrera 4 Coupe	\$730
					Carrera 4S Coupe	\$730
XSA	<b>Sport Seat Backs Painted</b> Front Seat Backs Painted in exterior color.	P77 P01		P15 98 99	Carrera Coupe	\$1,495
					Carrera S Coupe	\$1,495
					Carrera 4 Coupe	\$1,495
					Carrera 4S Coupe	\$1,495

### Custom Tailoring and Deviations - Exterior Color

CDG	<b>Switch Pnl Pkg Painted ExtClr</b> Side air vents (2.5a) central air vents including switch trim (2.6a). Leather finish interior color: defroster trim (2.4a), side air vent slats (2.5b), central air vent slats (2.6b).			CDA CDN CNA EAA EAB EAC EAD	Carrera Coupe	\$1,990
					Carrera S Coupe	\$1,990
					Carrera 4 Coupe	\$1,990
					Carrera 4S Coupe	\$1,990

Option	Description	Must Pick	Required	Conflict	Model	Price (USD)
CDH	<b>Door Finishers Painted Ext Clr</b> Front of door handle (3.2a), door opener trim (3.2c).			CMH XTW XTL XTT XTU XTV	Carrera Coupe	\$830
					Carrera S Coupe	\$830
					Carrera 4 Coupe	\$830
					Carrera 4S Coupe	\$830
CDJ	<b>Gear Lever Trim Exterior Color</b> Decorative trim on gear lever/ selector (4.2).			CDF CMJ 249	Carrera Coupe	\$290
					Carrera S Coupe	\$290
					Carrera 4 Coupe	\$290
					Carrera 4S Coupe	\$290
CDM	<b>Trim Strip Painted Ext Clr</b> 2.3			CDE CMM CVP 801 802 803	Carrera Coupe	\$520
					Carrera S Coupe	\$520
					Carrera 4 Coupe	\$520
					Carrera 4S Coupe	\$520
CDN	<b>Air Vent Slats Painted Ext Clr</b> Side air vent slats (2.5b), central air vent slats (2.6b), Leather finish interior color: side air vents (2.5a), central air vents including switch trim (2.6a).			CDA CDG CMG EAA EAB EAC EAD EAE	Carrera Coupe	\$940
					Carrera S Coupe	\$940
					Carrera 4 Coupe	\$940
					Carrera 4S Coupe	\$940
CDP	<b>Instr Surround Painted Ext Clr</b> Instrument surround (2.0d).			EAE XNG XCL	Carrera Coupe	\$440
					Carrera S Coupe	\$440
					Carrera 4 Coupe	\$440
					Carrera 4S Coupe	\$440
CDR	<b>Belt Outlet B Pillar Ext Clr</b> 1.3b			CCW CDU CFE CFS CJJ CMR	Carrera Coupe	\$180
					Carrera S Coupe	\$180
					Carrera 4 Coupe	\$180
					Carrera 4S Coupe	\$180
CER	<b>PCM Handset Painted Ext Clr</b> Paint finish upper section. Leather finish interior color: lower section, including support (three part).		666 668	CCR CED CFC CFH CML XEA	Carrera Coupe	\$540
					Carrera S Coupe	\$540
					Carrera 4 Coupe	\$540
					Carrera 4S Coupe	\$540



Option	Description	Must Pick	Required	Conflict	Model	Price (USD)
CGA	Headlight Cleaner Cvr Ext.Clr		P74		Carrera Coupe	\$215
					Carrera S Coupe	\$215
					Carrera 4 Coupe	\$215
					Carrera 4S Coupe	\$215
CRX	Wheels Painted in Dev. Color			404 405 446 CDB XRR XD9	Carrera Coupe	\$1,915
					Carrera S Coupe	\$1,915
					Carrera 4 Coupe	\$1,915
					Carrera 4S Coupe	\$1,915
CUC	Painted Model Desig Rear Lid Painted in exterior color.		498		Carrera Coupe	\$130
					Carrera S Coupe	\$130
					Carrera 4 Coupe	\$130
					Carrera 4S Coupe	\$130
CUF	PCM Package Painted Ext.Color Interior parts 4.0b, 4.0c, 4.0d, 4.0e painted in exterior color.			CCP CUR CMF	Carrera Coupe	\$2,230
					Carrera S Coupe	\$2,230
					Carrera 4 Coupe	\$2,230
					Carrera 4S Coupe	\$2,230
<b>Custom Tailoring and Deviations - Black</b>						
CMD	Rear Center Console Pntd.Black Including ashtray cover (4.2) storage tray rear section of center console (4.4d).			XMZ XJT XJU XMJ XCK XME A1	Carrera Coupe	\$1,130
					Carrera S Coupe	\$1,130
					Carrera 4 Coupe	\$1,130
					Carrera 4S Coupe	\$1,130
CMF	PCM Package Painted Black			CCP CUR CUF A1	Carrera Coupe	\$2,230
					Carrera S Coupe	\$2,230
					Carrera 4 Coupe	\$2,230
					Carrera 4S Coupe	\$2,230
CMG	Switch Panel Pkg.Painted Black Side air vents (2.5a) central air vents including switch trim (2.6a). Leather finish interior color: defroster trim (2.4a), side air vent slats (2.5b), central air vent slats (2.6b).			EAA EAB EAC EAD EAE CDA CDN CNA CDG CMN A1	Carrera Coupe	\$1,990
					Carrera S Coupe	\$1,990
					Carrera 4 Coupe	\$1,990
					Carrera 4S Coupe	\$1,990

Option	Description	Must Pick	Required	Conflict	Model	Price (USD)
<b>CMH</b>	<b>Door Finishers Painted Black</b> Front of door handle (3.2a), door opener trim (3.2c).			XTV XTT XTU XTL XTW CDH A1	Carrera Coupe	\$830
					Carrera S Coupe	\$830
					Carrera 4 Coupe	\$830
					Carrera 4S Coupe	\$830
<b>CMJ</b>	<b>Gear Lever/Selector Trim Black</b> Decorative trim on gear lever/ selector (4.2).			CDF CDJ A1	Carrera Coupe	\$290
					Carrera S Coupe	\$290
					Carrera 4 Coupe	\$290
					Carrera 4S Coupe	\$290
<b>CML</b>	<b>PCM Handset Painted Black</b>	668		CCR CFC CFH CED XEA CER A1	Carrera Coupe	\$540
					Carrera S Coupe	\$540
					Carrera 4 Coupe	\$540
					Carrera 4S Coupe	\$540
<b>CMM</b>	<b>Trim Strip Painted Black</b> (2.3)			801 802 803 A1 CDE CDM CVP	Carrera Coupe	\$520
					Carrera S Coupe	\$520
					Carrera 4 Coupe	\$520
					Carrera 4S Coupe	\$520
<b>CMN</b>	<b>Air Vent Slats Painted Black</b> Side air vent slats (2.5b), central air vent slats (2.6b), Leather finish interior color: side air vents(2.5a), central air vents including switch trim (2.6a).			CDA EAA EAB EAC EAD EAE CDG CMG A1 CDN	Carrera Coupe	\$940
					Carrera S Coupe	\$940
					Carrera 4 Coupe	\$940
					Carrera 4S Coupe	\$940
<b>CMP</b>	<b>Instrument Surround Pntd.Black</b> Instrument surround (2.0d).			XNG XCL EAE CDP A1	Carrera Coupe	\$440
					Carrera S Coupe	\$440
					Carrera 4 Coupe	\$440
					Carrera 4S Coupe	\$440
<b>CMR</b>	<b>Belt Outlet B-Pillar Black</b>			CCW CDU CFE CFS CJJ CDR A1	Carrera Coupe	\$180
					Carrera S Coupe	\$180
					Carrera 4 Coupe	\$180
					Carrera 4S Coupe	\$180

Option	Description	Must Pick	Required	Conflict	Model	Price (USD)
<b>Custom Tailoring and Deviations - Other</b>						
00471	Back Of Rear Seats Dev. Carpet		25241		Carrera Coupe Carrera S Coupe Carrera 4 Coupe Carrera 4S Coupe	\$0 \$0 \$0 \$0
24891	Stitching F/R seats Dev. Color	AT DF FE JX MB RA TG 05 06 99 AP AR DD DE FC FD JV JW TE TF		970 BK BM BP	Carrera Coupe Carrera S Coupe Carrera 4 Coupe Carrera 4S Coupe	\$940 \$940 \$940 \$940
24901	Dashboard Stitching Dev. Color	AT DF FE JX MB RA TG 05 06 99		970 BK BM BP	Carrera Coupe Carrera S Coupe Carrera 4 Coupe Carrera 4S Coupe	\$240 \$240 \$240 \$240
24902	Door Stitching in Dev. Color	AT DF FE JX MB RA TG 05 06 99		970 BK BM BP	Carrera Coupe Carrera S Coupe Carrera 4 Coupe Carrera 4S Coupe	\$160 \$160 \$160 \$160
24903	Door Handle Stitching Dev.Clr.	AT DF FE JX MB RA TG 05 06 99		XTT XTU XTL XTW 970	Carrera Coupe Carrera S Coupe Carrera 4 Coupe Carrera 4S Coupe	\$470 \$470 \$470 \$470
24904	Dev.Stitching Side Centr Cnsl	AT DF FE JX MB RA TG 05 06 99		970 BK BM BP	Carrera Coupe Carrera S Coupe Carrera 4 Coupe Carrera 4S Coupe	\$160 \$160 \$160 \$160
24905	Rear Side Panel Dev.Stitching	AT DF FE JX MB RA TG 05 06 99		970 BK BM BP	Carrera Coupe Carrera S Coupe Carrera 4 Coupe Carrera 4S Coupe	\$310 \$310 \$310 \$310

Option	Description	Must Pick	Required	Conflict	Model	Price (USD)
<b>24921</b>	<b>Upper Dash Deviating Color</b> Order this WITH Sport Chrono Package Plus.	AT DF FE JX MB RA TG 05 06		640 970 25731 BK BM BP	Carrera Coupe	\$470
					Carrera S Coupe	\$470
					Carrera 4 Coupe	\$470
					Carrera 4S Coupe	\$470
<b>24922</b>	<b>Lower Dash in Deviating Color</b>	AT DF FE JX MB RA TG 05 06		970 BK BM BP	Carrera Coupe	\$310
					Carrera S Coupe	\$310
					Carrera 4 Coupe	\$310
					Carrera 4S Coupe	\$310
<b>24923</b>	<b>Side Cntr Cnsl Deviating Color</b>				Carrera Coupe	\$160
					Carrera S Coupe	\$160
					Carrera 4 Coupe	\$160
					Carrera 4S Coupe	\$160
<b>24951</b>	<b>Deviating Carpet</b>				Carrera Coupe	\$630
					Carrera S Coupe	\$630
					Carrera 4 Coupe	\$630
					Carrera 4S Coupe	\$630
<b>25221</b>	<b>Roofliner Dev. Color Alcantara</b>			XMA	Carrera Coupe	\$310
					Carrera S Coupe	\$310
					Carrera 4 Coupe	\$310
					Carrera 4S Coupe	\$310
<b>25231</b>	<b>Frnt Seat Inlay Alcant Dev.Clr</b>	AT DF FE JX MB RA TG 05 06		970 25491 P77 P78 P01 P01L BK BM BP	Carrera Coupe	\$550
					Carrera S Coupe	\$550
					Carrera 4 Coupe	\$550
					Carrera 4S Coupe	\$550
<b>25241</b>	<b>F/R Seats in Leather Dev Color</b>	AT DF FE JX MB RA TG 05 06	00471	970	Carrera Coupe	\$1,500
					Carrera S Coupe	\$1,500
					Carrera 4 Coupe	\$1,500
					Carrera 4S Coupe	\$1,500

Option	Description	Must Pick	Required	Conflict	Model	Price (USD)
25281	Door Airbag Trim Strip Dev.Clr				Carrera Coupe	\$160
					Carrera S Coupe	\$160
					Carrera 4 Coupe	\$160
					Carrera 4S Coupe	\$160
25461	A/B/C Pillars in Standard Lthr			970 BK BM BP	Carrera Coupe	\$790
					Carrera S Coupe	\$790
					Carrera 4 Coupe	\$790
					Carrera 4S Coupe	\$790
25491	F/R Seat Inlays In Dev. Color	AT DF FE JX MB RA TG 05 06		970 BK BM BP	Carrera Coupe	\$940
					Carrera S Coupe	\$940
					Carrera 4 Coupe	\$940
					Carrera 4S Coupe	\$940
25631	Door Trim in Deviating Color			970 BK BM BP	Carrera Coupe	\$310
					Carrera S Coupe	\$310
					Carrera 4 Coupe	\$310
					Carrera 4S Coupe	\$310
25731	Upper Dash w/Spt. Chr Dev. Clr	AT DF FE JX MB RA TG 05 06 99	640	970 24921 BK BM BP	Carrera Coupe	\$550
					Carrera S Coupe	\$550
					Carrera 4 Coupe	\$550
					Carrera 4S Coupe	\$550
CDB	Carrera S Wheel in Black		403	405 407 446 A1 XD9 CRX	Carrera Coupe	\$1,915
					Carrera S Coupe	\$1,915
					Carrera 4 Coupe	\$1,915
					Carrera 4S Coupe	\$1,915
CRD	Brake Caliper In Red			450	Carrera Coupe	\$1,690
					Carrera 4 Coupe	\$1,690

Option	Description	Must Pick	Required	Conflict	Model	Price (USD)
CXB	<b>Door Entry Grds Stl Steel Illu</b> Door entry Guards (right/left 3.6) in stainless steel with Carrera/ Carrera S/ Carrera 4/ Carrera 4S logo, illuminated in white.			CXD X69 X70	Carrera Coupe	\$780
					Carrera S Coupe	\$780
					Carrera 4 Coupe	\$780
					Carrera 4S Coupe	\$780

### Exterior Cosmetic

498	<b>Delete Model Designation</b>				Carrera Coupe	\$0
					Carrera S Coupe	\$0
					Carrera 4 Coupe	\$0
					Carrera 4S Coupe	\$0
XAA	<b>Aerokit</b>				Carrera Coupe	\$6,990
					Carrera S Coupe	\$6,990
					Carrera 4 Coupe	\$6,990
					Carrera 4S Coupe	\$6,990
XAJ	<b>Standard Rocker Panels Painted</b> Rocker panels painted body color.				Carrera 4 Coupe	\$750
					Carrera 4S Coupe	\$750

### Additional Options

TD5	<b>Tourist Delivery</b>		900		Carrera Coupe	\$2,250
					Carrera S Coupe	\$2,250
					Carrera 4 Coupe	\$2,250
					Carrera 4S Coupe	\$2,250